

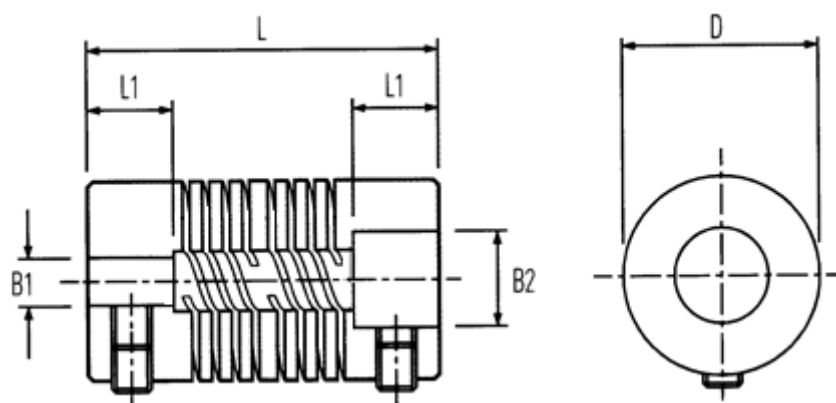
Data Sheet



Article number: 339710250000

Description: Multibeam 6 Coupling 710.25.0000
Acetal & set screw hubs

Measures



| | |
|---------------------------|---------|
| B1: Pre-drilled | = 5.0 |
| B2: Pre-drilled | = 8.00 |
| D | = 25.4 |
| L | = 38.1 |
| L1 | = 11.0 |
| Max angular displacement | = 0.38 |
| Max B1 & B2 | = 12.00 |
| Max parallel displacement | = 7 |

| | |
|----------------|--------|
| Peak Torque NM | = 2.50 |
| Set Screw | = M5 |